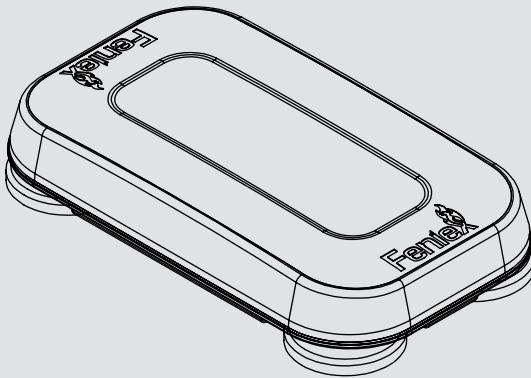


Apollo & Cobra Mini-X Light Bar Instruction Manual

V.3



APOLLO COBRA MINI-X

Model # - M-4114, M-5114

This instruction manual serves as a guide for the **Apollo Cobra Mini-X**.

IMPORTANT! Please read through all provided instructions and any listed warnings in regards to product use.



Fenix Product Copyrights This price List and the mentioned Fenix products include or describe copyrighted Fenix material. Laws in the United States and other countries preserve for Fenix Industries and its licensors certain exclusive rights for copyrighted material, including the exclusive right to copy, reproduce in any form, distribute and make derivative works of the copyrighted material. Accordingly, any copyrighted material of Fenix and its licensors contained herein or in the Fenix products described in this Price List may not be copied, reproduced, distributed, merged or modified, transmitted, transcribed, stored in retrieval system or translated into any language or computer language, in any form or by any means, without prior written permission of Fenix Industries, Inc. Fenix and the stylized Fenix logo are registered in the U.S. Patent & Trademark Office.

| | |
|---------------------------------|----|
| Safety Regulations | 3 |
| Warranty | 3 |
| Service after Expiration..... | 3 |
| Copyright | 3 |
| Feniex Product Copyright..... | 3 |
| Wiring Instructions | |
| Cobra™..... | 4 |
| Apollo™..... | 6 |
| Mounting Instructions | |
| Permanent Mount..... | 9 |
| Magnet Mount..... | 9 |
| Replacing Modules | |
| Cobra..... | 10 |
| Apollo..... | 11 |

Safety Regulations

The following provides all the information necessary to safely operate the previously listed products of Feniex Industries, Inc. Please read this manual thoroughly before installing or operating your new product in order to prevent any damage or injury. Failure to follow the listed instructions in this manual may result in damage to your products or personal injury.

- Proper installation of this product requires good knowledge of automotive systems, electronics and procedures.
- Please guarantee all vital components of the vehicle are not in danger of being damaged by drilling holes necessary for installation. Check all sides of the mounting surface before drilling any holes into the vehicle.
- Do not install this product in any way that interferes with the deployment of the air bag. Doing so may damage the effectiveness of the air bag and can lead to serious personal and vehicle injury. The installer will assume full responsibility of proper installation of the new unit.
- Please clean the mounting surface before installation of the unit when using tape, brackets, magnet, Velcro or suction cups.
- The product's ground wire must be connected directly to the Negative (-) battery post for effective use of the unit. Please follow all wiring guidelines provided to guarantee long lifespan and productivity. Failing to follow these instructions may result in damage to the product.

Warranty

Feniex Industries, Inc. warrants to the original purchaser that the product shall be free from defects in material and workmanship for sixty (60) months from the date of purchase for all LED products. Feniex Industries warranties speakers, sirens and controllers for 24 months; switches and flashers for 12 months.

If a warranty problem occurs, please contact customer support at 1.800.615.8350 or visit the web site at www.Feniex.com. If the product needs to be returned for repair or replacement, call our customer support line to receive a return merchandise authorization number.

Operational times are from 10 a.m. to 5 p.m. central time, Monday through Friday. Please do not send in product without contacting support first for a RMA number.

Service After Expiration

Feniex Industries will still provide service for all products after expiration of the warranty. For any issues, call the customer support line. In some instances it may be necessary for the product to be shipped, freight prepaid and insured for loss or damage to Feniex headquarters.

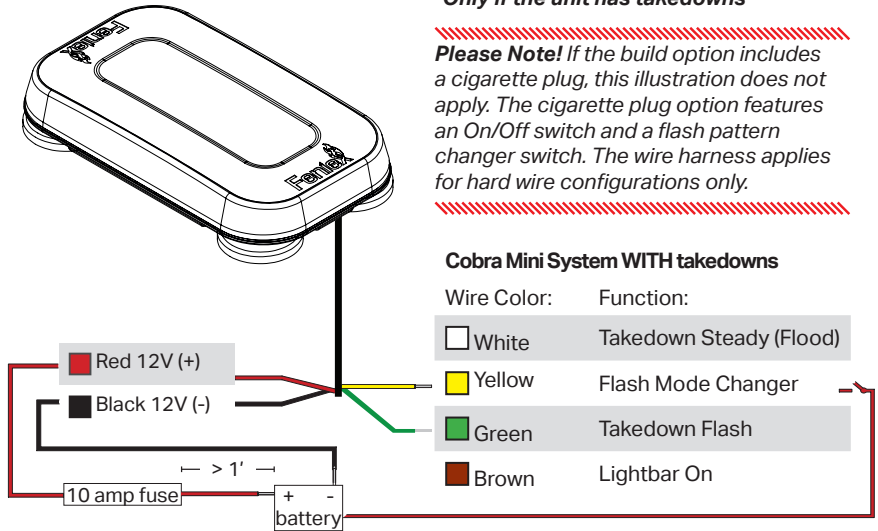
Warning! Utilizing non-factory screws and mounting brackets may result in loss of warranty coverage.

Copyright

This instruction manual and the Feniex products described in this instruction manual may include or describe copyrighted Feniex material. Laws in the United States and other countries preserve for Feniex Industries and its licensors certain exclusive rights for copyrighted material, including the exclusive right to copy, reproduce in any form, distribute and make derivative works of the copyrighted material. Accordingly, any copyrighted material of Feniex and its licensors contained herein or in the Feniex products described in this instruction manual may not be copied, reproduced, distributed, merged or modified in any manner without the express written permission of Feniex Industries, Inc.

Feniex Product Copyrights

The products described in this document are the property of Feniex Industries, Inc. It is furnished by express license agreement only and may be used only in accordance with the terms of such an agreement. Products and documentation are copyrighted materials. Making unauthorized copies is prohibited by law. No part of the product or documentation may be reproduced, transmitted, transcribed, stored in retrieval system or translated into any language or computer language, in any form or by any means, without prior permission from Feniex Industries, Inc.



***Only if the unit has takedowns**

Please Note! If the build option includes a cigarette plug, this illustration does not apply. The cigarette plug option features an On/Off switch and a flash pattern changer switch. The wire harness applies for hard wire configurations only.

Cobra Mini System WITH takedowns

| Wire Color: | Function: |
|-------------|-------------------------|
| White | Takedown Steady (Flood) |
| Yellow | Flash Mode Changer |
| Green | Takedown Flash |
| Brown | Lightbar On |

Step 1: In order to activate the unit, extend the red wire to the 12V(+) post of the vehicle's battery. Extend the black wire to the ground post of the vehicle.

Step 2: To turn the Cobra lightbar on, connect the brown wire to a 12V(+) switch.

Step 3: To change flash patterns, momentarily connect the yellow wire on a 12V(+) source.

Step 4: For takedown steady functionality, connect the white wire to a 12V(+) post (switch) or connect the green wire to a 12V(+) post to engage takedown flashing mode.

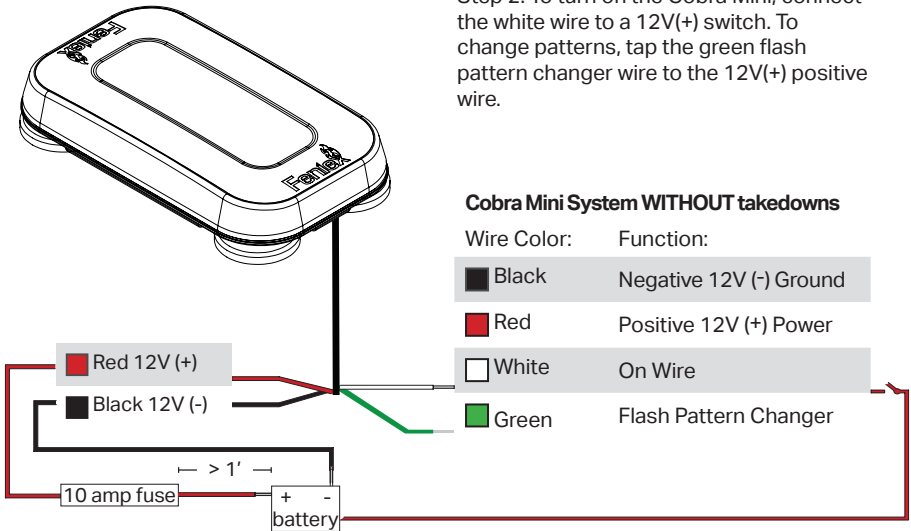
Please Note! This only applies if there are takedown functions programmed. Please note that the takedown steady function will override the takedown flashing mode.

Important! Do not wire this unit to an alternative power supply, such as AC to DC converters. Wire only as instructed. The red (+) wire should connect only to the vehicle's battery or to a 12V(+) switch post. Failure to do so may damage the unit and will void warranty.

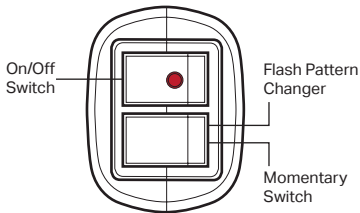
Please Note! Takedown functions will not be provided unless otherwise requested at time of order.

Step 1: To operate the hard wire option, connect the black, 12V(-) wire to ground and the red 12V(+) wire to an activated switch.

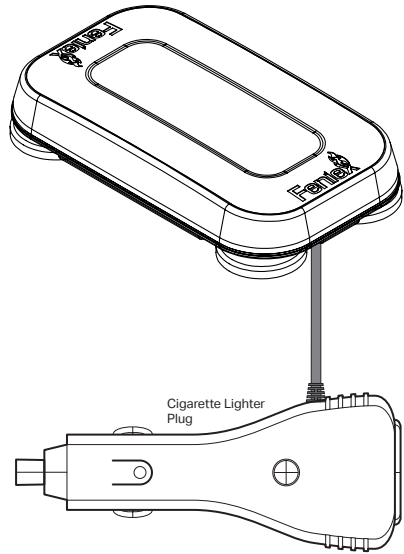
Step 2: To turn on the Cobra Mini, connect the white wire to a 12V(+) switch. To change patterns, tap the green flash pattern changer wire to the 12V(+) positive wire.

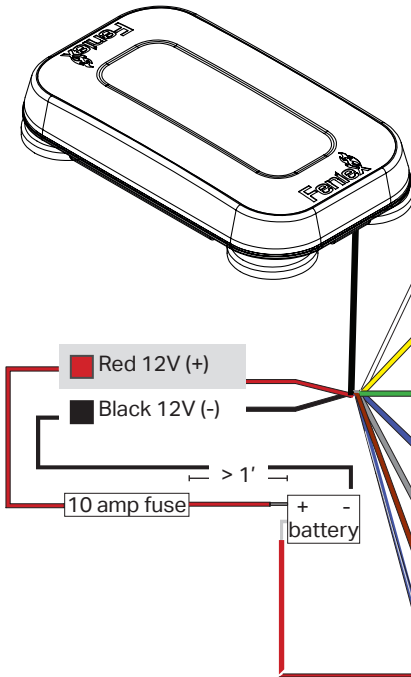


Please Note! The Cobra Mini Lightbar models allow for a cigarette plug or hardwire option. The cigarette plug features an on/off switch and a flash pattern changer.



To operate the cigarette plug option, plug in the provided lighter plug into the vehicle's cigarette lighter plug outlet. Turn the unit on with the On/Off switch and change patterns with the momentary flash pattern changer.





Please Note! If the build option includes a cigarette plug, this illustration does not apply. (Please reference page 6)

Apollo Mini Wiring Diagram
*Hardwire option shown

| Wire Color: | Single Color: | Dual Color: |
|-------------|--------------------|--------------------|
| White | Takedown Steady* | Takedown Steady* |
| Yellow | Flash Mode Changer | Flash Mode Changer |
| Green | Takedown Flashing* | Mode Two (On wire) |
| Blue | Left Arrow | Left Arrow |
| Gray | Right Arrow | Right Arrow |
| Brown | Lightbar On | Mode One (On wire) |
| Blue/Gray | Center Out | Center Out |

Step 1: In order to activate the unit, extend the red wire to the 12V(+) post of the vehicle's battery. Extend the black wire to the ground post of the vehicle.

Step 2: To turn the Apollo lightbar on, connect the brown wire to a 12V(+) switch.

Step 3: To change flash patterns, momentarily connect the yellow wire on a 12V(+) source.

Step 4: For takedown steady functionality, connect the white wire to a 12V(+) post (switch) or connect the green wire to a 12V(+) post to engage takedown flashing mode for single color systems..

Step 5: To activate mode 2 for dual color systems; Connect the green wire to a 12V+ post.

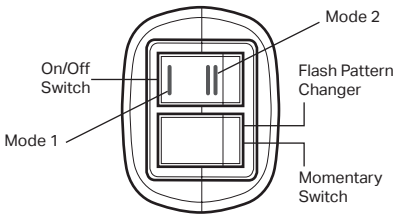
Important! Do not wire this unit to an alternative power supply, such as AC to DC converters. Wire only as instructed. The red (+) wire should connect only to the vehicle's battery or to a 12V(+) switch post. Failure to do so may damage the unit and will void warranty.

Please Note! Takedown functions will not be provided unless otherwise requested at time of order.

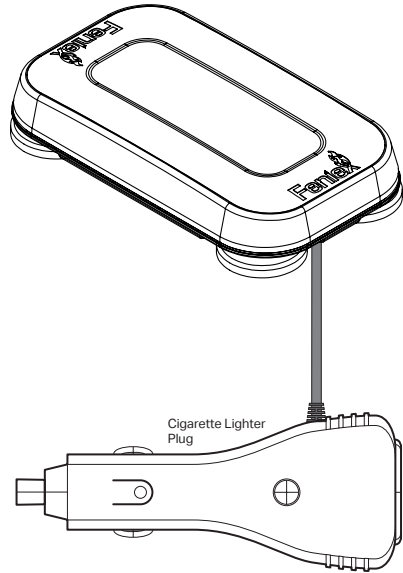
Please Note! This only applies if takedown functions are programmed. Takedown steady function will override takedown flashing mode.

*These modes only function when the unit has takedowns in the assembly.

////////////////////////////////////
Please Note! The Apollo Mini Lightbar models allow for a cigarette plug or hardwire option. The cigarette plug features 2 on/off switches and a flash pattern changer switch. Note that mode 2 will override mode 1.
////////////////////////////////////



To operate the cigarette plug option, plug in the provided lighter plug into the vehicle's cigarette lighter plug outlet. Turn the unit on with the On/Off switch and change patterns with the momentary flash pattern changer.



Permanent Mount Installation:

Important! Installing the permanent brackets will involve drilling holes on the platform of the vehicle.

Note: The permanent mount bracket is adjustable and can be moved in or out.

Step 1: Place the permanent bracket on the platform and mark the first hole for drilling.

Step 2: Drill the marked hole.

Step 3: Attach the permanent bracket to the platform with a self-tapping screw (user provided).

Step 4: Mark the second hole for drilling on the opposite corner of the bracket. Secure the bracket using a self-tapping screw on the drilled hole.

Step 5: Mark and drill the remaining 2 holes and secure the bracket with self-tapping screws.

| Item #: | Description: |
|---------|--------------|
|---------|--------------|

| | |
|---|-------------------------|
| 1 | Permanent Mount Bracket |
|---|-------------------------|

Magnet Mount Installation:

Please Note! If magnet mount was purchased, no mounting instructions are required for installation.

The Cobra Mini wire harness may be ran through the gasket of the door or by drilling a hole in the vehicle's roof.

If the wire harness is installed in the door gasket, ensure the vehicle's door will close without any interference.

| Item #: | Description: |
|---------|--------------|
|---------|--------------|

| | |
|---|---------------|
| 2 | Magnetic Foot |
|---|---------------|

